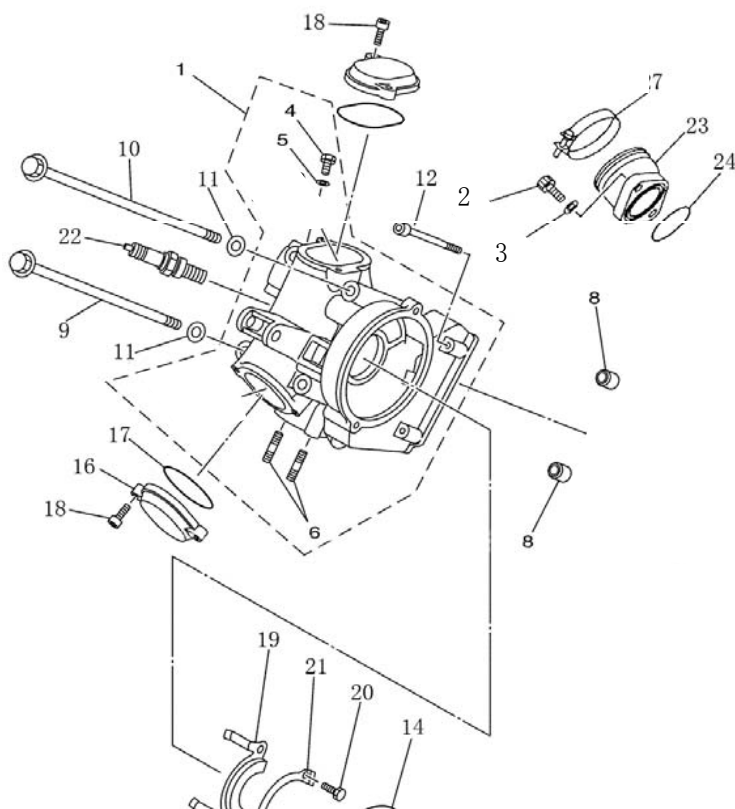


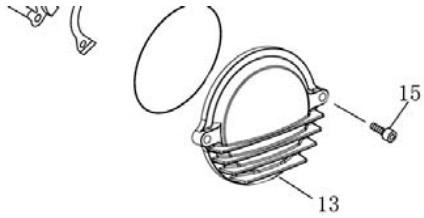
UTV500 ENGINE PARTS CATALOG

FIG.101



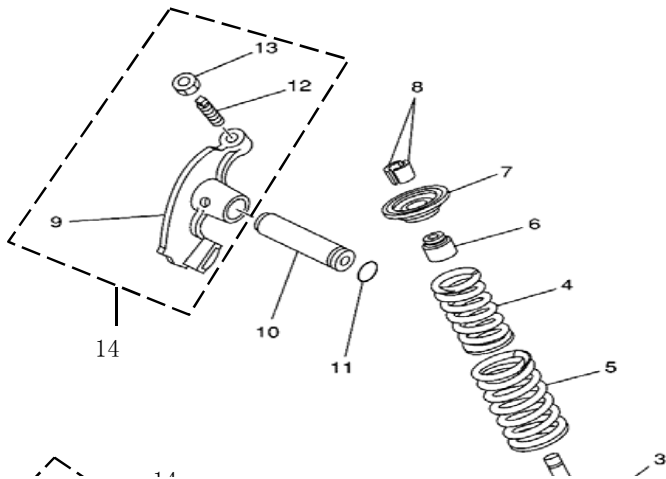
01. CYLINDER HEAD

S/N	Parts Number	Part Name And Standard
1	101150001	Cylinder Head Assy
2	101150002	Screw M8×20
3	101150003	Gasket 8×14×1
4	101170024	Bolt M6×14
5	101150005	Gasket 6×13×1.5
6	101170002	Double-Ended Bolt Stud
7	101150007	Clip Of Inlet Pipe40-50
8	101150008	Pin 14×16
9	101150009	Bolt M10×223
10	101150010	Bolt M10×250
11	101150011	Washer 10×20×2
12	106170007	Screw M8×40
13	101150013	Left Cover Of Cylinder Head
14	101150014	O-Seal Ring 107×2.4
15	101170010	Screw M6×25



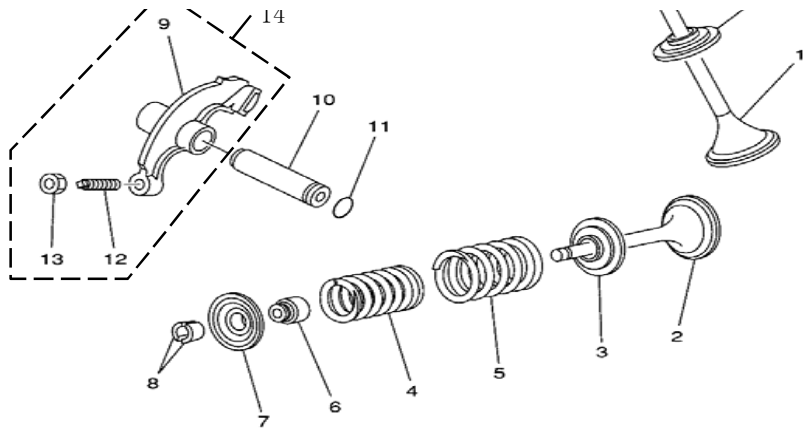
16	101150016	Valve Cover
17	109170017	O-Ring 58×2.4
18	101170023	Screw M6×20
19	101150019	Plate Of Camshaft I
20	101150020	Bolt M6×12
21	101150021	Plate Of Camshaft li
22	101150022	Spark Plug(Ngk Dr8Ea)
23	101150023	Inlet Pipe
24	101150024	O-Ring 43.2×2

FIG.102



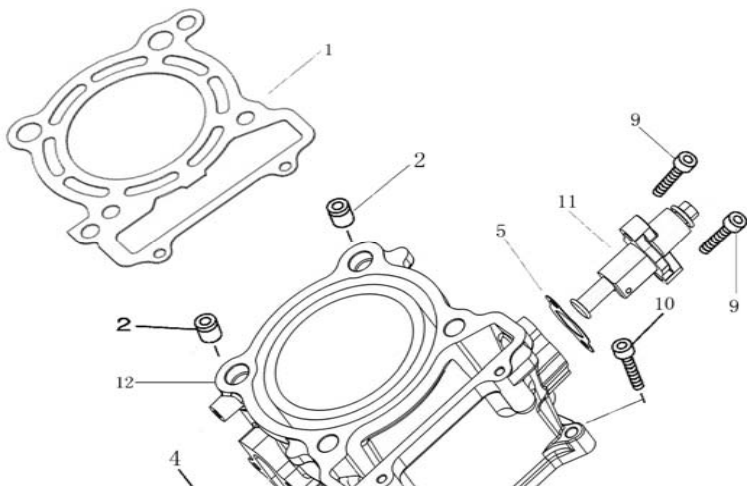
02. VALVE

S/N	Parts Number	Part Name And Standard
1	102150001	Intake Valve
2	102150002	Exhaust Valve
3	102150003	Seat, Valve Spring
4	102150004	Spring, Inner Valve
5	102150005	Spring, Outer Valve
6	102150006	Oil Proof Cover
7	102150007	Retainer, Valve
8	102150008	Valve Clip
9	102150009	Valve Rocker



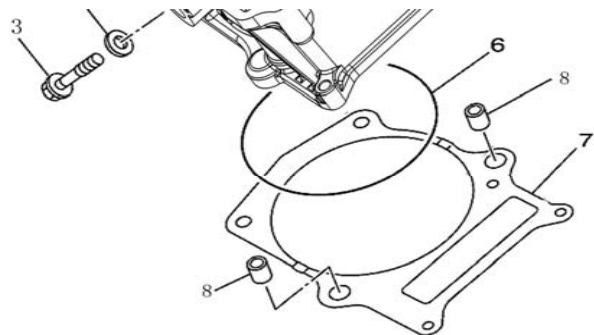
10	102150010	Rocker Shaft
11	102170011	O-Ring 9×2
12	102150012	Adjusting Screw ,Valve
13	102150013	Adjusting Nut ,Valve
14	102150014	Valve Rocker Assy

FIG.103



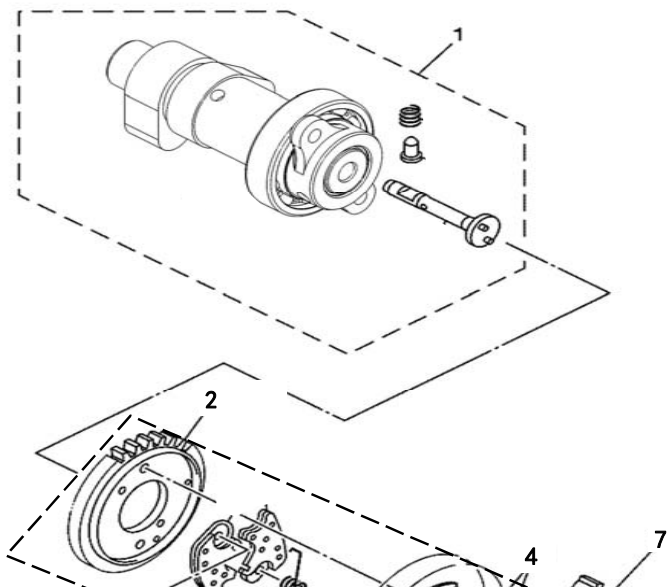
03. CYLINDER

S/N	Parts Number	Part Name And Standard
1	103150001	Gasket, Cylinder Head
2	103150002	Pin 14×16
3	101170024	Flange Bolt M6×14
4	103150004	Washer 6×13×1.5
5	103150005	Gasket, Tensioner Case
6	103150006	O-Ring 90×3
7	103150007	Gasket, Cylinder Body
8	106170016	Pin 14×16
9	101170010	Bolt M6×25



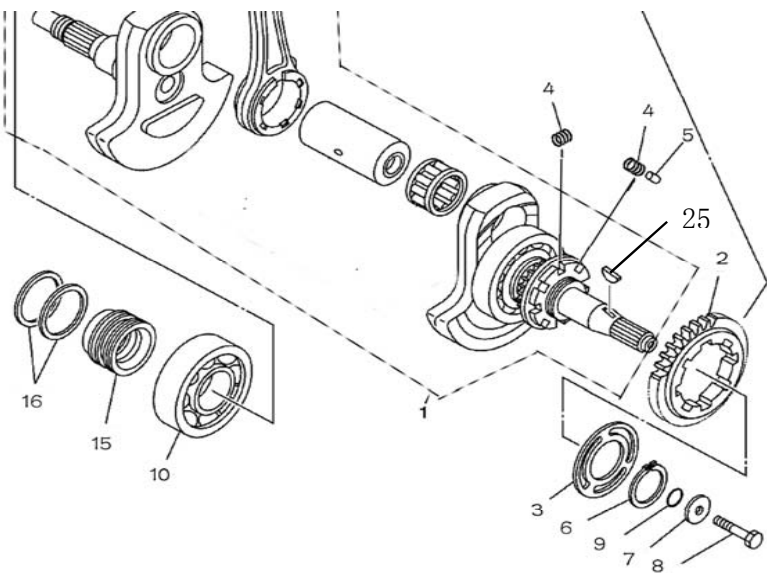
10	222170027	Bolt M6×30
11	103150011	Tensioner Assy
12	103150012	Cylinder Body Assy

FIG.104



04. CAMSHAFT CHAIN

S/N	Parts Number	Part Name And Standard
1	104150001	Camshaft Assy
2	104150002	Timing Driven Sprocket Wheel Assy
3	104150003	Position Plate
4	104150004	Boltm7×11
5	104150005	Timing Chain
6	104150006	Guide Plate
7	104170004	Tensioner Plate Assy
8	104170005	Bolt M6×16

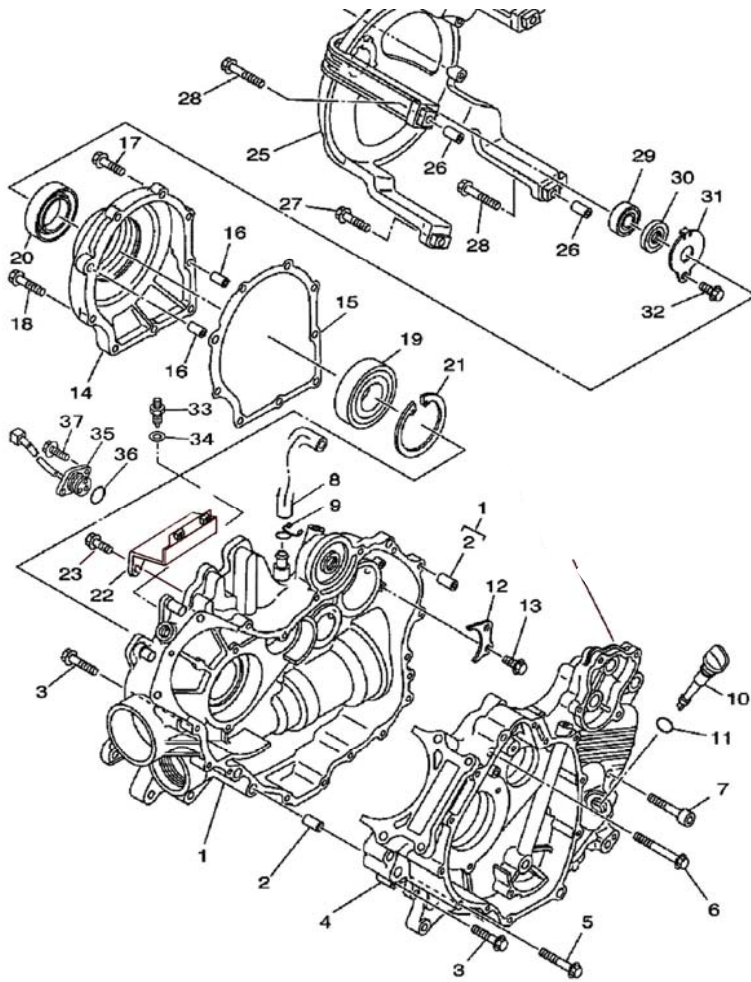


9	105170009	O-Ring 16.1×3.1
10	105170010	Bearing 6307
11	105150011	Piston
12	105150012	Piston Ring Set
13	105150013	Piston Pin
14	105150014	Piston Circlip
15	105170015	Seal Ring Set
16	105170016	Seal Ring
17	105150017	Balance Shaft Assy
18	105170018	Balance Driven Gear Assy
19	105170019	Key B5×12.4
20	105170020	Nut M18×1
21	105170021	Lock Washer
22	105170022	Bearing 6305
23	105170023	Bearing 6304R
24	105170024	Oil Seal 20×30×7
25	105170025	Semicircle Key

FIG.106



06. CRANKCASE		
S/N	Parts Number	Part Name And Standard
1	106170001	Right Crankcase Assy



2	106170002	Pin 10×15.7
3	106170003	Flange Bolt M6×30
4	106170004	Left Crankcase Assy
5	106170005	Flange Bolt M6×40
6	106170006	Flange Bolt M6×55
7	106170007	Screw M8×40
8	106170008	Exhaust Pipe Of Engine
9	106170009	Exhaust Pipe Clip
10	106170010	Oil Guage
11	106170011	O-Ring 20×2.3
12	106170012	Bearing Plate
13	101170024	Flange Bolt M6×14
14	106170014	Bearing Housing
15	106170015	Gasket, Bearing Housing
16	106170016	Pin 10×16
17	106170003	Flange Bolt M6×30
18	106170005	Flange Bolt M6×40
19	106170019	Bearing 16010
20	106170020	Oil Seal 35×65×8
21	106170021	Circlip 80
22	106170022	Exhaust Pipe Bracket

23	106170023	Flange Bolt M6×16
24	106170024	Flange Bolt M6×20
25	106170025	Clutch Protector Bracket
26	106170016	Pin 10×16
27	106170027	Flange Bolt M6×30
28	106170028	Flange Bolt M6×40
29	106170029	Bearing 6201Z
30	106170030	Oil Seal 12×32×6
31	106170031	Oil Seal Plate
32	201170009	Flange Bolt M6×12
33	106170033	Gearshift Switch
34	106170034	Gasket 10×16×1
35	106170035	Gearshift Indicator
36	106170036	O-Seal Ring 29.6×2.4
37	104170005	Gasket M6×16

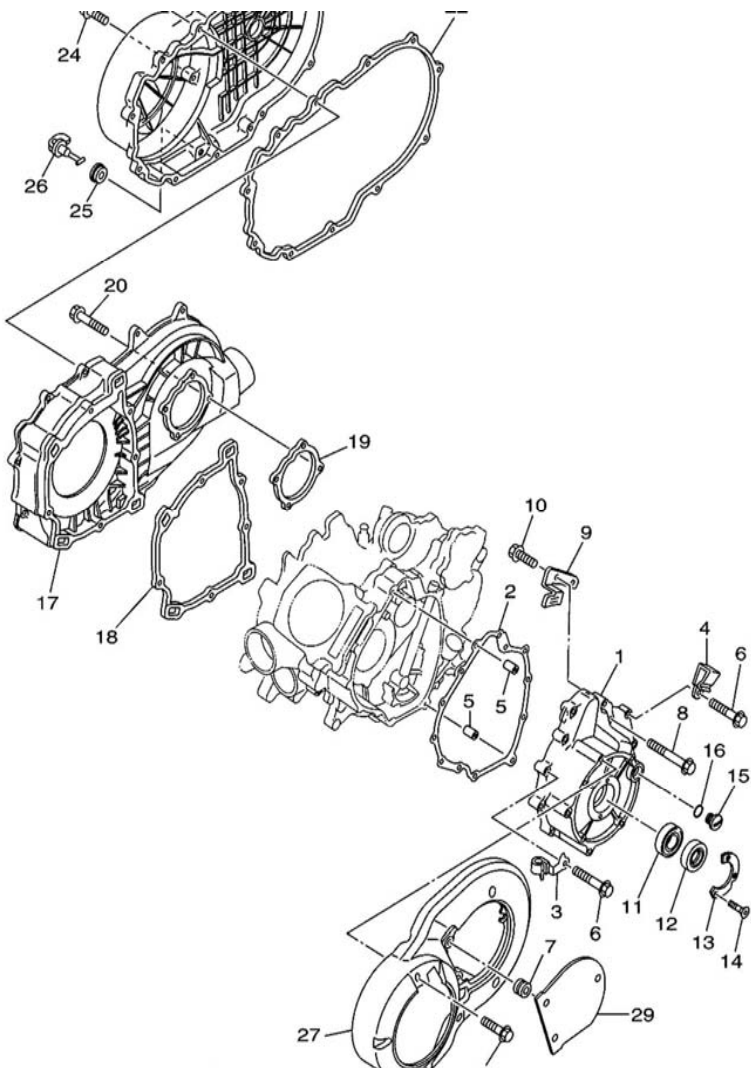
FIG.107



22

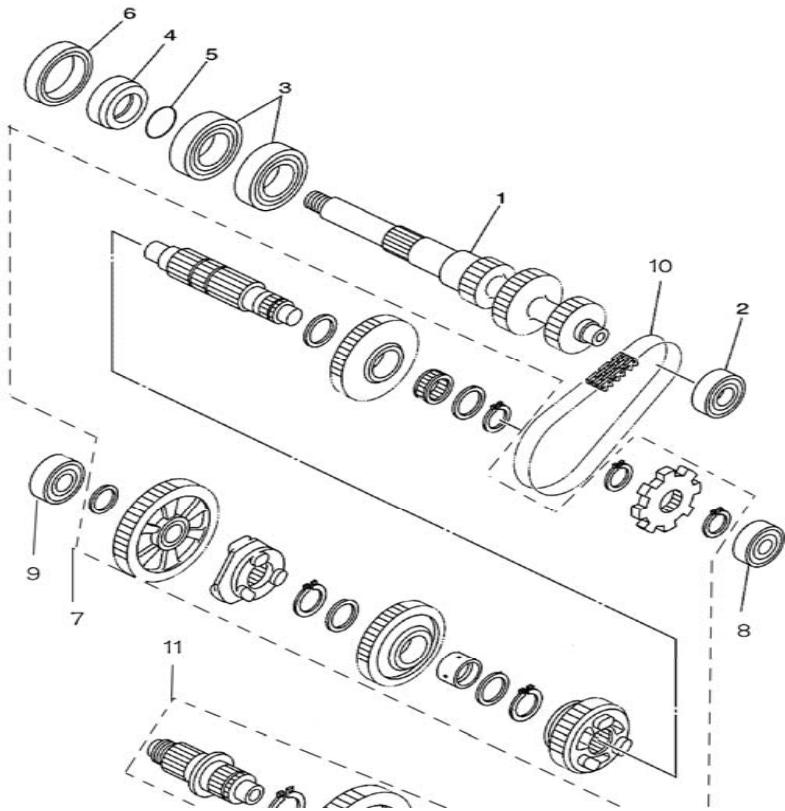
07. CRANKCASE COVER 1

S/N	Parts Number	Part Name And Standard
1	107170001	Left Front Cover
2	107170002	Gasket,Left Front Cover



3	107170003	Clamp I
4	107170004	Clip I
5	106170002	Pin 10×15.7
6	106170003	Flange Bolt M6×30
7	107150007	Rubber Bush li
8	106170005	Flange Bolt M6×40
9	107170008	Plate
10	101170024	Flange Bolt M6×14
11	107170010	Bearing 60/28
12	107170011	Oil Seal 28×52×8.2
13	107150013	Oil Seal Plate
14	107170013	Screw M5×16
15	107150015	Eyesight Cover
16	107150016	O-Ring 13.6×2.2
17	107150017	Clutch Housing Assy
18	107150018	Seal Right Of Clutch Housing I
19	107150019	Seal Right Of Clutch Housing li
20	106170027	Flange Bolt M6×30
21	107170020	Clutch Housing Assy
22	107170021	Seal Ring, Clutch Housing
23	107150023	Flange Bolt M6×25

FIG.108



24	106170023	Flange Bolt M6×16
25	107150025	Rubber Bush I
26	107150026	Plug Of Clutch Cover
08. TRANSMISSION		
S/N	Parts Number	Part Name And Standard
1	108170001	Principal Axis
2	108170002	Bearing 6203
3	108170003	Bearing 6006C3
4	108170004	Bush 26×42×14.7
5	108170005	O-Ring 26.1×2.4
6	108170006	Oil Seal 42×55×8
7	108170007	Middle Axis Assy
8	108170008	Bearing 6202
9	108170009	Bearing 6203Dla8
10	108170010	Chain
11	108170011	X-Output Shaft
12	108170012	Bearing 6303

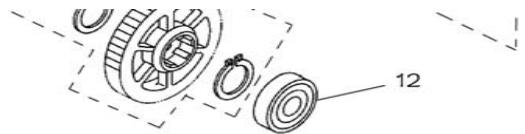
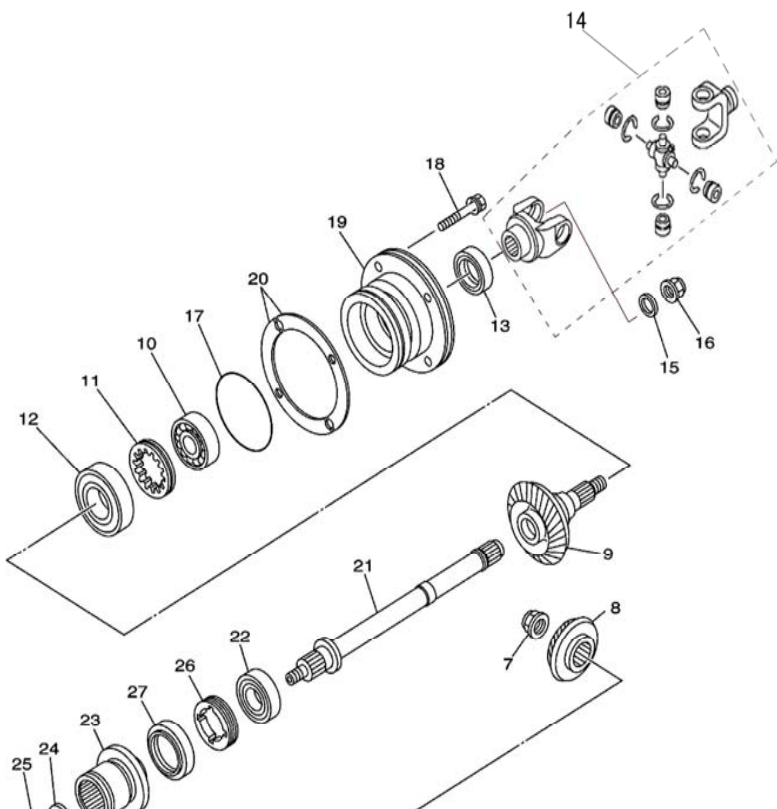
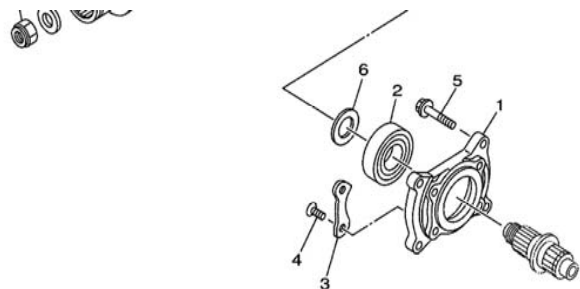


FIG.109



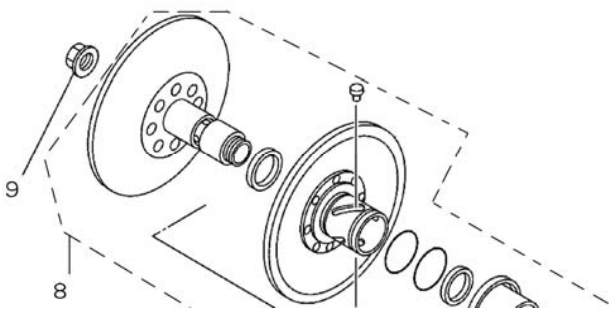
09. MIDDLE DRIVE GEAR

S/N	Parts Number	Part Name And Standard
1	109170001	Housing Bearing
2	105170022	Bearing
3	109170003	Plate Bearing Cover
4	109170004	Screw M8×24
5	109170005	Bolt M6×30
6	109170006	Washer 26×38× (0.10~0.60)
7	109170007	Nut M22
8	109170008	Drive Bevel Gear
9	109170009	Follower Bevel Gear
10	109170010	Bearing
11	109170011	Locked Ring M60×1.5(左)
12	109170012	Bearing
13	109170013	Oil Seal 30×46×8
14	109170014	Coupling
15	109170015	Washer 16.5×28×4



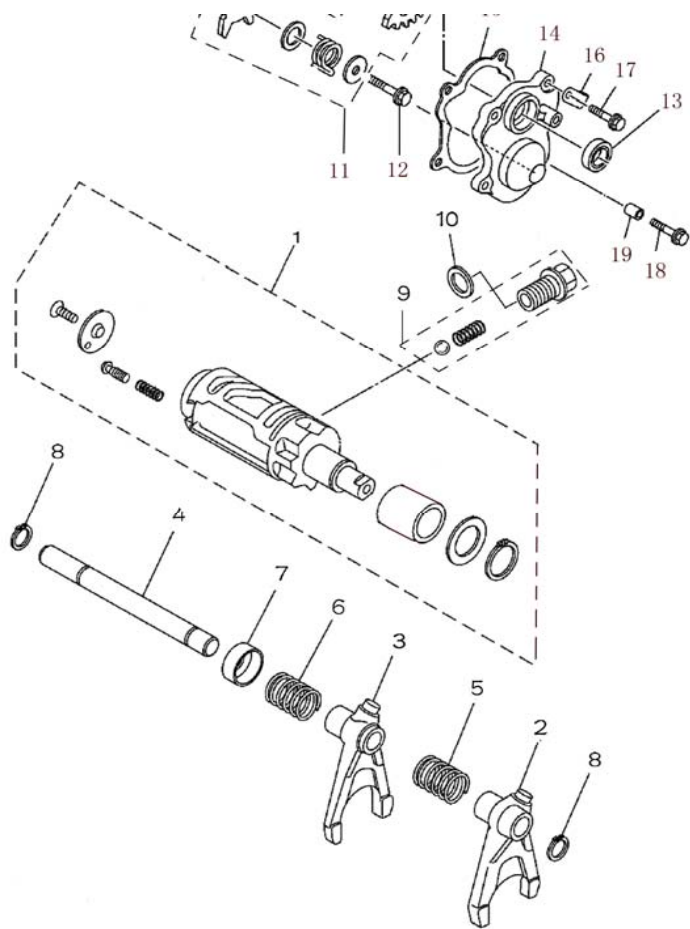
16	109170016	Nut M16
17	109170017	O-Ring 88×2.8
18	109170018	Bolt M8×30
19	109170019	Housing, Bearing
20	109170020	Washer 26×38× (0.10~0.60)
21	109170021	Y Output Shaft
22	109170022	Bearing
23	109170023	Flange Coupling
24	109170024	Washer 14.2×32×5
25	109170025	Nut M14
26	109170026	Locked Ring M55×1.5(左)
27	109170027	Oil Seal 44×60×7

FIG.110



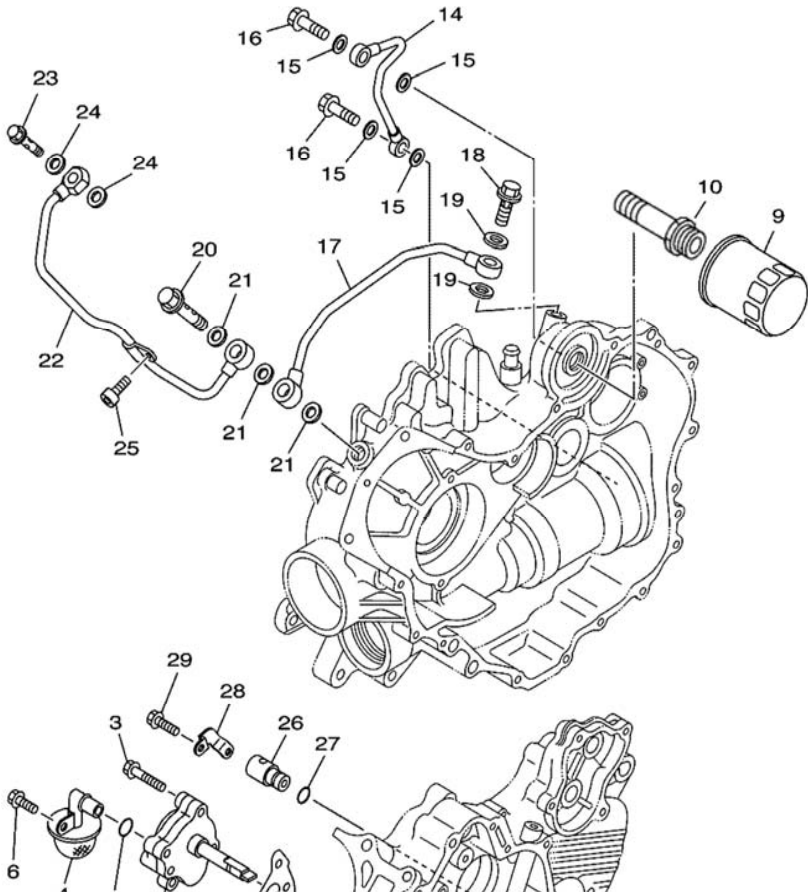
10. CLUTCH

S/N	Parts Number	Part Name And Standard
1	110170001	Original Clutch Parts
2	110170002	Circlip 52
3	109170007	Nut M22×1
4	110170004	Cvt Original Clutch Parts
5	110170005	Belt



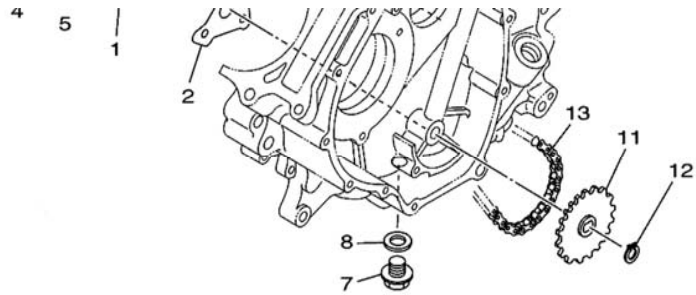
2	111170002	R Fork
3	111170003	HI Fork
4	111170004	Fork Shaft
5	111170005	Spring Compression
6	111170006	Spring Compression
7	111170007	Cap Spring
8	111170008	Circlip 12
9	111170009	Stage Jack Bolt
10	111170010	Gasket 14×22×1
11	111170011	Stage Follower Gear
12	111170012	Bolt M6×35
13	111170013	Oil Seal
14	111170014	Side Cover, Stage Arm
15	111170015	Gasket, Side Cover
16	111170016	Wire Clip II
17	106170024	Bolt M6×20
18	106170003	Bolt M6×30
19	111150019	Dowel Pin 8×11.7
20	111170020	Gear Station Bolt Spring
21	111170021	Gear Station Bolt Ball

FIG.112



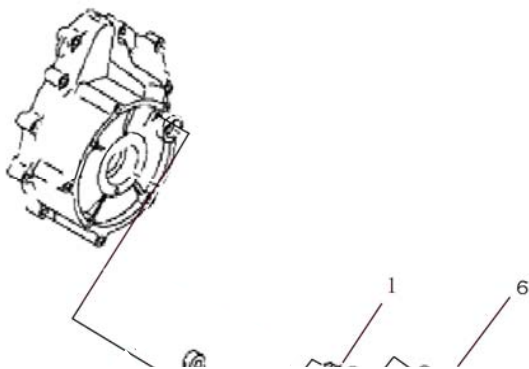
12、 OIL PUMP

S/N	Parts Number	Part Name And Standard
1	112170001	Oil Pump Assy
2	112170002	Gasket Pump Cover
3	106170005	Bolt M6x40
4	112170004	Strainer Housing Assy
5	112170005	O-Ring
6	101170024	Bolt M6x14
7	112170007	Bolt M14x1.5-6H-16
8	112170008	Washet 14x22x1
9	112170009	Element Assy Oil Cleaner
10	112170010	Bolt Union
11	112170011	Sprocket Driven
12	112170012	Circlip 11
13	112170013	Chain, Oil Pump
14	112170014	Pipe Delivery 1
15	112170015	Washet 8.4x15x2
16	112170016	Bolt I M8x20
17	112170017	Pipe Delivery 2
18	112170018	Bolt II M14x28.5



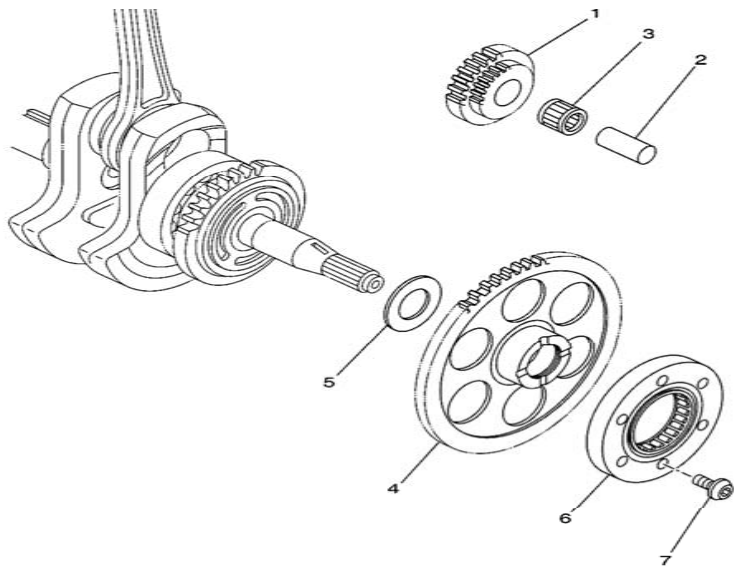
19	106170039	Washet 14×20×1.5
20	112170020	Bolt IV M14×50
21	106170039	Washet 14×20×1.5
22	112170022	Pipe Delivery 3
23	112170023	Bolt III M14×50
24	112170024	Washet 10.2×16×1.2
25	112170025	Bolt M6×12
26	112170026	Relief Valve Assy
27	112170027	O-Ring 10×2.45
28	112170028	Plate
29	201170009	Bolt M6×12

FIG.113



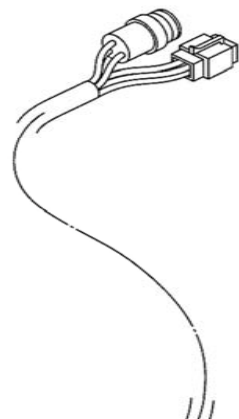
13、 FAN

S/N	Parts Number	Part Name And Standard
1	106170024	Bolt M6×20
2	118170002	Motherboard
3	118170003	Washer 6.2×11.8×1
4	118170004	O-Ring 64.4×3.1
5	118170005	Strongback, Fan
6	118170006	Pulley Starter
7	118170007	Vane Wheel



4	113170004	Gear
5	113170005	Washer 25×39×1
6	113170006	One-Way Assy
7	113170007	Screw M8×16
8	113170008	Start Motor Assy

FIG.116



16 GENERATOR

S/N	Parts Number	Part Name And Standard
1	114170001	Stator Assy,Magneto
2	114170002	Rotor Assy, Magneto
3	114170003	Bolt M6×30
4	114170004	Screw M5×12

